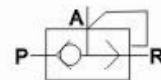


QQE Series

Quick Exhaust Valves



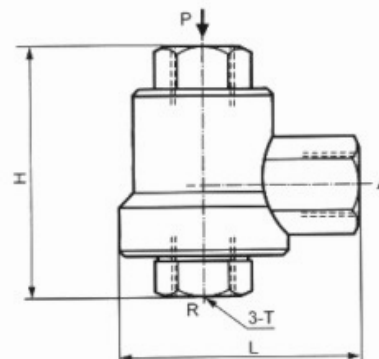
Symbol



Technical data

| Model | QQE-08 | QQE-10 | QQE-15 |
|--------------------------------|---------------------------------|---------------------------------|---------------------------------|
| Port connection | G1/4 | G3/8 | G1/2 |
| Connection effective area | 6mm | 8mm | 15mm |
| Flow rate | $\geq 0.9\text{m}^3/\text{min}$ | $\geq 2.5\text{m}^3/\text{min}$ | $\geq 4.5\text{m}^3/\text{min}$ |
| Life cycle ($\times 10,000$) | ≥ 200 | | |
| Working pressure range | 0.12~1.0MPa | | |
| Response time | ≤ 0.03 | ≤ 0.04 | ≤ 0.05 |

Dimensions(mm)



| Model | T | H | L |
|--------|------|----|----|
| QQE-08 | G1/4 | 51 | 45 |
| QQE-10 | G3/4 | 68 | 62 |
| QQE-15 | G1/2 | 77 | 86 |