

EPG-36395 Planetary Series

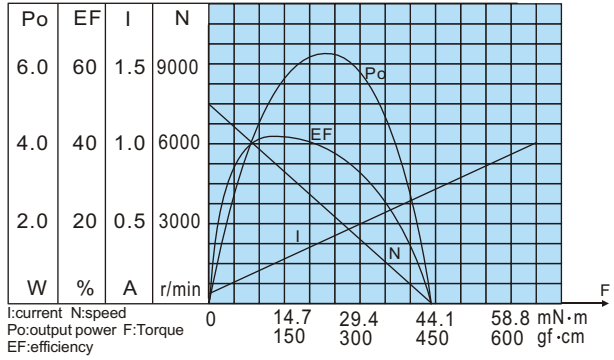
(24VDC STANDARD)

OUTPUT POWER: 3.4W(APPROX)

WEIGHT: 180~210g(APPROX)

Typical applications: Automat, electrical controlled valve, robot, door locks, token, optical equipment, cordless power tool, ticket selling machines, automatic energy saving bath, monitoring cameras, lighting.

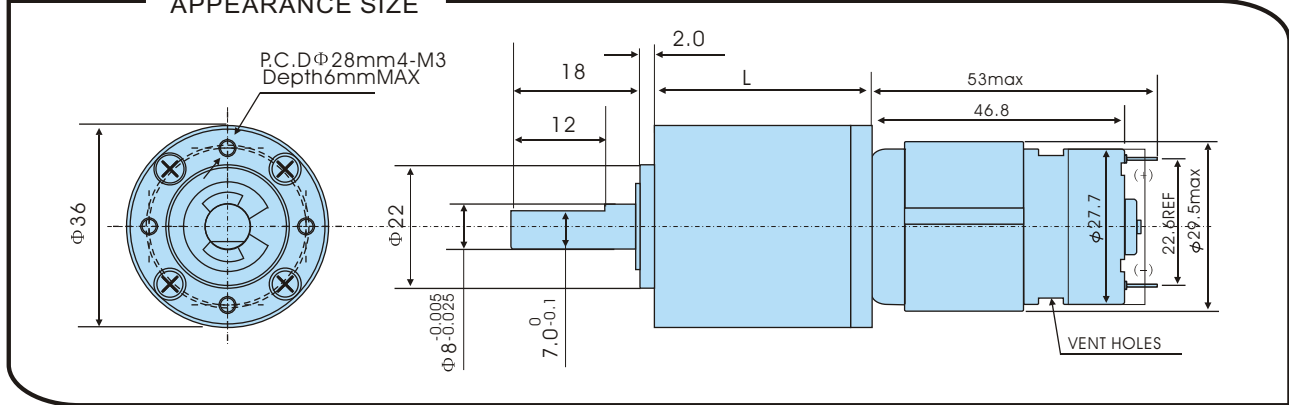
MOTOR CHARACTERISTICS



MOTOR TORQUE/SPEED/CURRENT

Rated voltage	24VDC
No load speed	6000r/min
No load current	60mA
Rated torque	77.3gf · cm 7.58mN · m
Rated current	0.266A
Rated speed	4910r/min
Stall torque	430gf · cm 42.14mN · m
Stall current	1.22A

APPEARANCE SIZE



GEARED MOTOR TORQUE/SPEED/CURRENT

Geared motor name	Rated Volt. V	No Load		Load torque				At maximum efficiency		Output power W	Number of gear trains	Gearbox length "L" mm
		Current mA	Speed r/min	Current mA	Speed r/min	Torque		Kg · cm	N · m			
						Kg · cm	N · m					
EPG-36395246000-3.7K	24	≤60	1621	≤266	1327	0.26	0.03	0.8	0.08	3.5	1	26.5
EPG-36395246000-5.2K	24	≤60	1153	≤266	944	0.33	0.03	1.0	0.10	3.1	2	32.5
EPG-36395246000-13.7K	24	≤60	438	≤266	358	0.86	0.08	3.0	0.29	3.1	2	32.5
EPG-36395246000-26.9K	24	≤60	223	≤266	182	1.5	0.15	5.0	0.49	2.8	3	38.5
EPG-36395246000-51K	24	≤60	117	≤266	96.3	2.9	0.28	9.0	0.88	2.8	3	38.5
EPG-36395246000-100K	24	≤60	60.0	≤266	49.1	5.6	0.55	17	1.67	2.8	3	38.5
EPG-36395246000-188K	24	≤60	31.9	≤266	26.1	9.6	0.94	29	2.84	2.5	4	44.5
EPG-36395246000-369K	24	≤60	16.3	≤266	13.3	19	1.86	56	5.49	2.5	4	44.5
EPG-36395246000-721K	24	≤60	8.3	≤225	7.1	30	2.94	90	8.82	2.1	4	44.5
EPG-36395246000-977K	24	≤60	6.1	≤190	5.5	30	2.94	90	8.82	1.6	5	50.5
EPG-36395246000-1910K	24	≤60	3.1	≤110	3.0	30	2.94	90	8.82	0.9	5	50.5
EPG-36395246000-3736K	24	≤60	1.6	≤90	1.5	30	2.94	90	8.82	0.6	5	50.5
Other Ratio	1:19.2, 1:71, 1:139, 1:264, 1:516, 1:699, 1:1367, 1:2671.											
Note	Voltage can make as customers' request											
Packing Details	CTN size: 28X26XH22.5CM 40PCS/CTN N.W.12Kgs											