

EPG-36555 Planetary Series

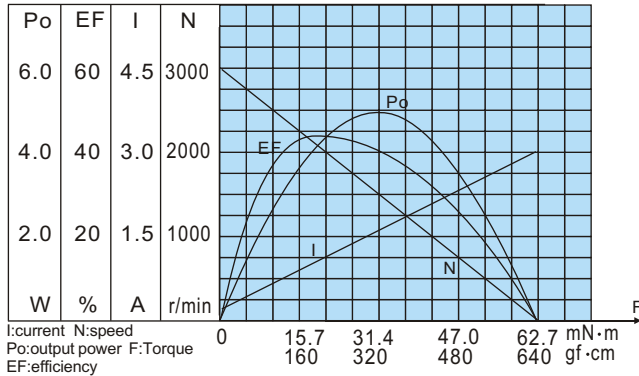
(12VDC STANDARD)

OUTPUT POWER: 3.2W(APPROX)

WEIGHT: 180~210g(APPROX)

Typical applications: Automat, electrical controlled valve, robot, door locks, token, optical equipment, cordless power tool, ticket selling machines, automatic energy saving bath, monitoring cameras, lighting.

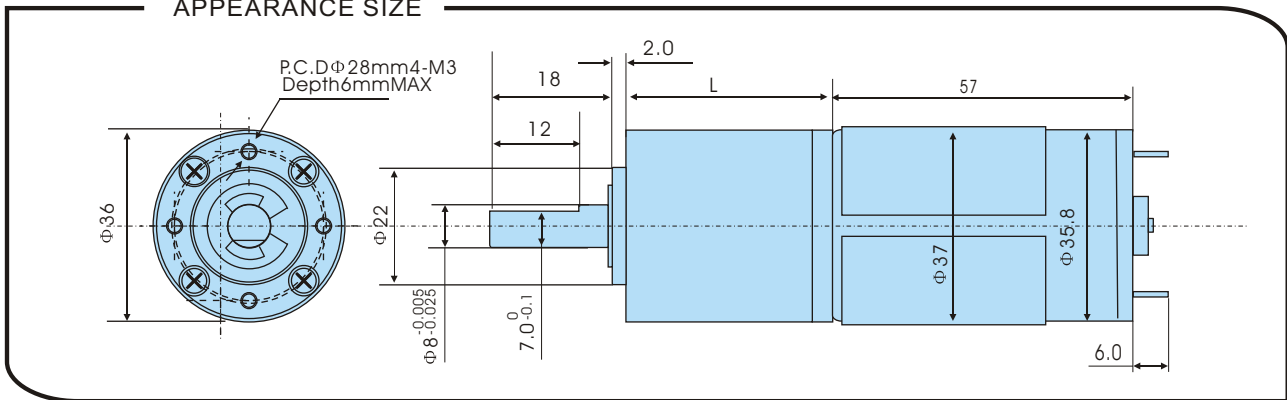
MOTOR CHARACTERISTICS



MOTOR TORQUE/SPEED/CURRENT

Rated voltage	12VDC
No load speed	3000r/min
No load current	140mA
Rated torque	190gf·cm 15.7mN·m
Rated current	800mA
Rated speed	2200r/min
Stall torque	640gf·cm 62.7mN·m
Stall current	3000mA

APPEARANCE SIZE



GEARED MOTOR TORQUE/SPEED/CURRENT

Geared motor name	Rated Volt. V	No Load		Load torque				At maximum efficiency		Output power W	Number of gear trains	Gearbox length "L" mm
		Current mA	Speed r/min	Current mA	Speed r/min	Torque		Kg·cm	N·m			
						Kg·cm	N·m					
EPG-36555123000-3.7K	12	≤140	810	≤800	594	0.53	0.05	1.6	0.16	3.2	1	26.5
EPG-36555123000-5.2K	12	≤140	577	≤800	423	0.67	0.07	2.0	0.20	2.9	2	32.5
EPG-36555123000-13.7K	12	≤140	219	≤800	160	1.78	0.17	5.0	0.49	2.9	2	32.5
EPG-36555123000-26.9K	12	≤140	111	≤800	82	3.14	0.31	9.0	0.88	2.6	3	38.5
EPG-36555123000-51K	12	≤140	58.8	≤800	43	5.96	0.58	18	1.76	2.6	3	38.5
EPG-36555123000-100K	12	≤140	30.0	≤800	22	11.7	1.15	35	3.43	2.6	3	38.5
EPG-36555123000-188K	12	≤140	16.0	≤800	11.7	19.9	1.95	60	5.88	2.3	4	44.5
EPG-36555123000-369K	12	≤140	8.1	≤760	6.4	30	2.94	90	8.82	1.9	4	44.5
EPG-36555123000-721K	12	≤140	4.2	≤465	3.7	30	2.94	90	8.82	1.1	4	44.5
EPG-36555123000-977K	12	≤140	3.1	≤390	2.8	30	2.94	90	8.82	0.9	5	50.5
EPG-36555123000-1910K	12	≤140	1.6	≤230	1.5	30	2.94	90	8.82	0.5	5	50.5
EPG-36555123000-3736K	12	≤140	0.8	≤190	0.7	30	2.94	90	8.82	0.2	5	50.5
Other Ratio	1:19.2, 1:71, 1:139, 1:264, 1:516, 1:699, 1:1367, 1:2671.											
Note	Voltage can make as customers' request											
Packing Details	CTN size: 28X26XH22.5CM 40PCS/CTN N.W.14Kgs											