

EPG-36528 Planetary Series

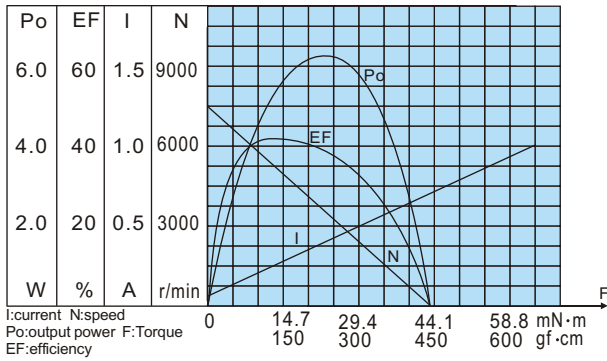
(24VDC STANDARD)

OUTPUT POWER: 2.8W(APPROX)

WEIGHT: 180~210g(APPROX)

Typical applications: Automat. electrical controlled valve, robot, door locks, token, optical equipment, cordless power tool, ticket selling machines, automatic energy saving bath, monitoring cameras, lighting.

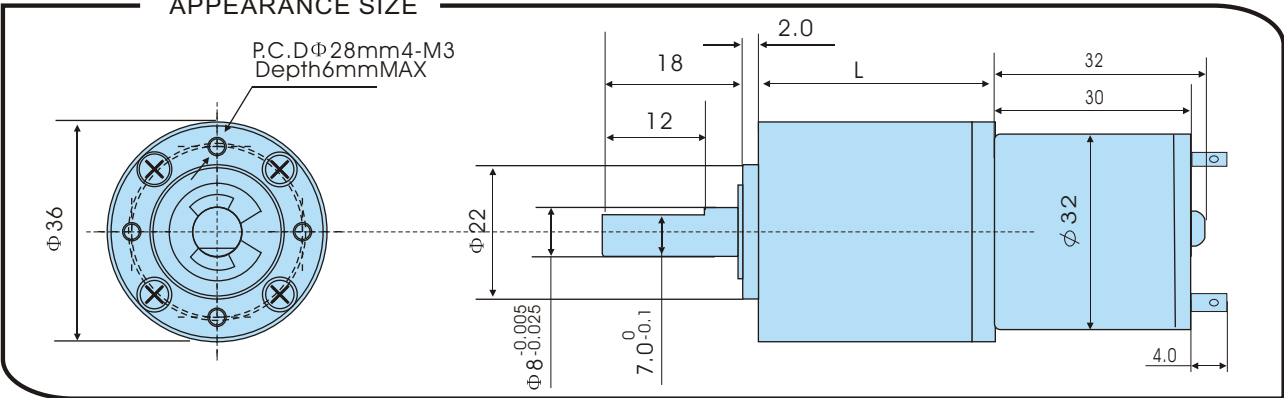
MOTOR CHARACTERISTICS



MOTOR TORQUE/SPEED/CURRENT

Rated voltage	24VDC
No load speed	6800r/min
No load current	45mA
Rated torque	60gf · cm 5.88mN · m
Rated current	280mA
Rated speed	5100r/min
Stall torque	240gf · cm 23.5mN · m
Stall current	1.1A

APPEARANCE SIZE



GEARED MOTOR TORQUE/SPEED/CURRENT

Geared motor name	Rated Volt. V	No Load		Load torque				At maximum efficiency		Output power W	Number of gear trains	Gearbox length "L" mm
		Current mA	Speed r/min	Current mA	Speed r/min	Torque		Kgf · cm	N · m			
						Kgf · cm	N · m					
EPG-36528246800-3.7K	24	≤45	1837	≤280	1378	0.20	0.02	0.6	0.06	2.8	1	26.5
EPG-36528246800-5.2K	24	≤45	1307	≤280	980	0.26	0.03	0.8	0.08	2.5	2	32.5
EPG-36528246800-13.7K	24	≤45	496	≤280	372	0.67	0.07	2.0	0.20	2.5	2	32.5
EPG-36528246800-26.9K	24	≤45	252	≤280	189	1.2	0.12	4.0	0.39	2.2	3	38.5
EPG-36528246800-51K	24	≤45	133	≤280	100	2.2	0.22	7.0	0.69	2.2	3	38.5
EPG-36528246800-100K	24	≤45	68.0	≤280	51.0	4.4	0.43	13	1.27	2.2	3	38.5
EPG-36528246800-188K	24	≤45	36.2	≤280	27.1	7.4	0.73	22	2.2	2.0	4	44.5
EPG-36528246800-369K	24	≤45	18.4	≤280	13.8	15	1.47	44	4.3	2.0	4	44.5
EPG-36528246800-721K	24	≤45	9.4	≤280	7.1	29	2.84	90	8.82	2.0	4	44.5
EPG-36528246800-977K	24	≤45	7.0	≤190	5.5	30	2.94	90	8.82	1.6	5	50.5
EPG-36528246800-1910K	24	≤45	3.6	≤140	3.0	30	2.94	90	8.82	0.9	5	50.5
EPG-36528246800-3736K	24	≤45	1.8	≤90	1.5	30	2.94	90	8.82	0.6	5	50.5
Other Ratio	1:19.2, 1:71, 1:139, 1:264, 1:516, 1:699, 1:1367, 1:2671.											
Note	Voltage can make as customers' request											
Packing Details	CTN size: 28X26XH22.5CM 40PCS/CTN N.W.12Kgs											